

Asia-Korea Conference on Advanced Science & Technology

First A. Author, Second B. Author and Third C. Author
 Author(s)' Affiliation
 Full Address, Italics, upper case and lower case, centered
 E-mail address if any (underlined)

Abstract

These instructions give you guidelines for preparing papers for IML2008. Provide an abstract of 100-200 words that is an informative summary of the paper, including any important results found or conclusions drawn.

Keywords: About four key words or phrases in alphabetical order, separated by commas.

1. Introduction

From this section, input the body of your manuscript according to the constitution that you had. For detailed information for authors, please refer to [1].

2. Tables, Figures and Equations

2.1 Tables and Figures

To insert "Tables" or "Figures", please paste the data as stated below. All tables and figures must be given sequential numbers (1, 2, 3, etc.) and have a caption placed below the figure ("FigCaption") or above the table ("FigTalbe") being described, using 10pt font and please make use of the specified style "caption" from the drop-down menu of style categories

Table 1: Margin specifications

Margin	A4 Paper	US Letter Paper
Left	17.8 mm	17.8 mm
Right	16.5 mm	16.5 mm

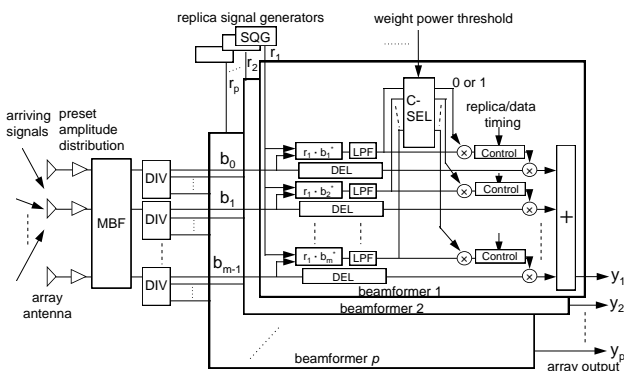


Fig. 1 Proposed beam former.

2.2 Equations

If a displayed equation needs a number, place it flush with the right margin of the column (e.g., see Eq. 1).

$$y_i(N) = \sum_{n=0}^{m-1} w_n(N)b_n(N) \tag{1}$$

$$= \sum_{n=0}^{m-1} b_n^*(N)r_i(N) \cdot b_n(N)$$

3. Paragraphs and Itemizations

- If you would like to itemize some parts of your manuscript, please make use of the specified style "itemize" from the drop-down menu of style categories
- In the case that you would like to paragraph your manuscript, please make use of the specified style "paragraph" from the drop-down menu of style categories

Acknowledgments

Insert acknowledgment if there is.

References

[1] D. Simchi-Levi, X. Chen, J. Bramel, *The Logic Of Logistics: Theory, Algorithms, And Applications For Logistics And Supply Chain Management* (Book style), New York: Springer-Verlag, 2004.

[2] J. U. Duncombe, "Infrared navigation—Part I: An assessment of feasibility (Periodical style)," *IEEE Trans. Electron Devices*, vol. ED-11, pp. 34–39, Jan. 1959.

[3] S. P. Bingulac, "On the compatibility of adaptive controllers (Published Conference Proceedings style)," in *Proc. 4th Annu. Allerton Conf. Circuits and Systems Theory*, New York, pp. 8–16, 1994.

[4] J. Williams, "Narrow-band analyzer (Thesis or Dissertation style)," Ph.D. dissertation, Dept. Elect. Eng., Harvard Univ., Cambridge, MA, 1993.

[5] J. P. Wilkinson, "Nonlinear resonant circuit devices (Patent style)," U.S. Patent 3 624 12, July 16, 1990.

[6] R. E. Haskell and C. T. Case, "Transient signal propagation in lossless isotropic plasmas (Report style)," USAF Cambridge Res. Lab., Cambridge, MA Rep. ARCRL-66-234 (II), vol. 2, 1994.

[7] (Basic Book/Monograph Online Sources) J. K. Author. (year, month, day). *Title* (edition) [Type of medium]. Volume(issue). Available: [http://\(URL\)](http://(URL))